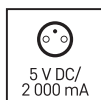
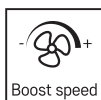


RADIATOR FANS

Increase the performance of your heating

The fans are energy efficient and by placing them under the radiator, you can ensure faster and more even heat distribution in the room. This will heat the room up to twice as fast, allowing you to lower the temperature on the thermostat by one to two degrees without losing the feeling of thermal comfort. This way you can also save on heating costs.

- more comfortable and faster home heating
- saving heating costs
- very low power consumption
- easy installation and mounting on most hot water radiators and convectors
- safe and quiet operation with TÜV certification
- available in MONO, DUO, TRIO + spare set



Set for ventilator fan P56EXT1

Ventilator fan TRIO P56PR3



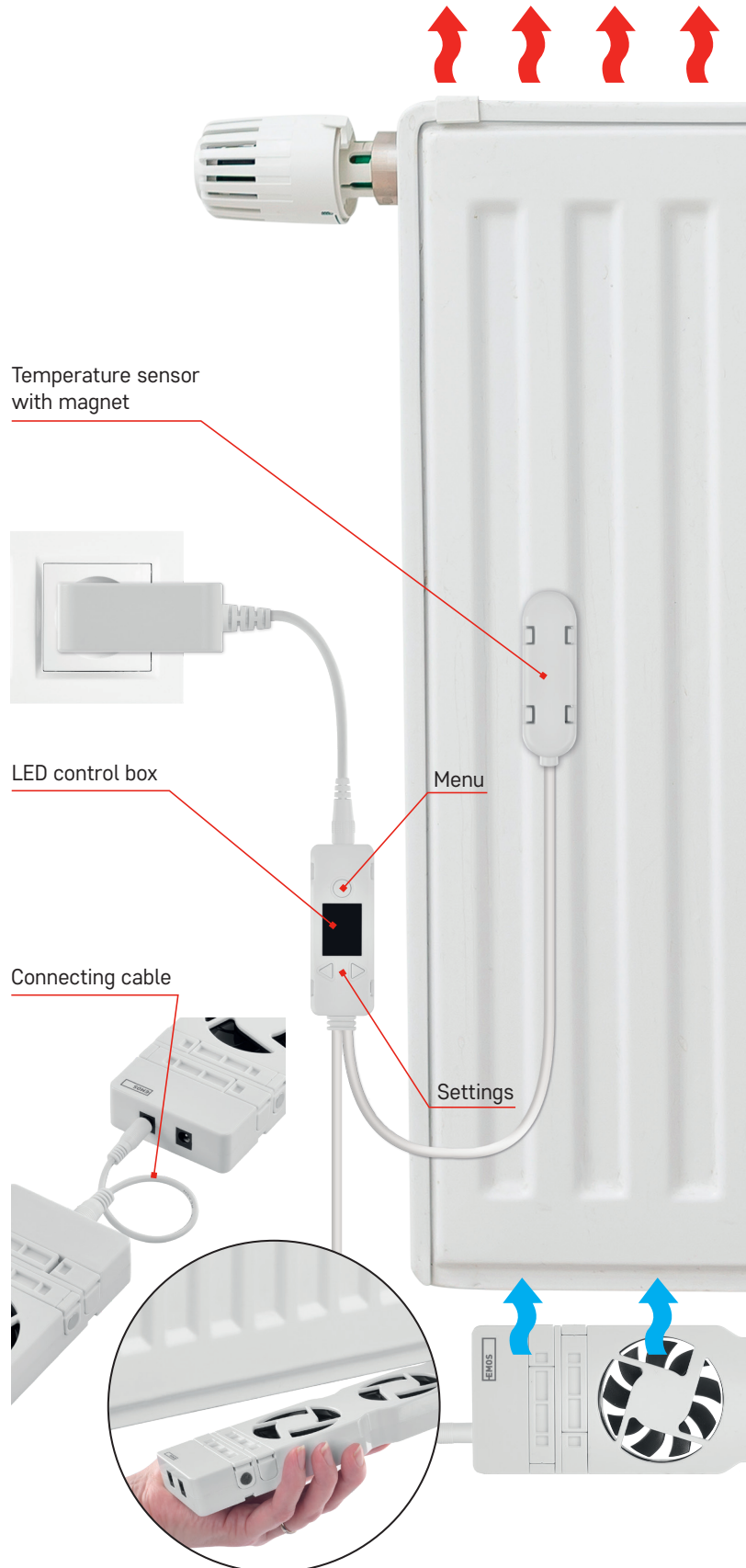
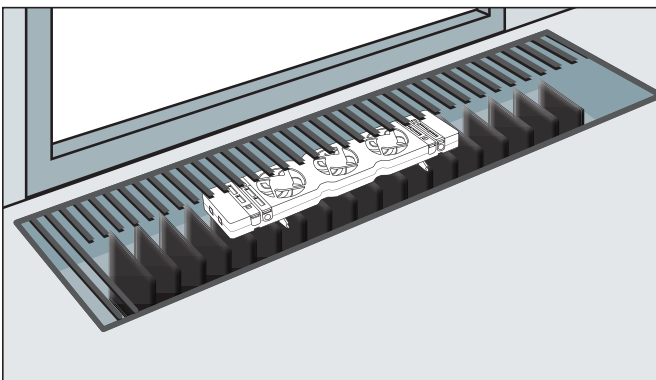
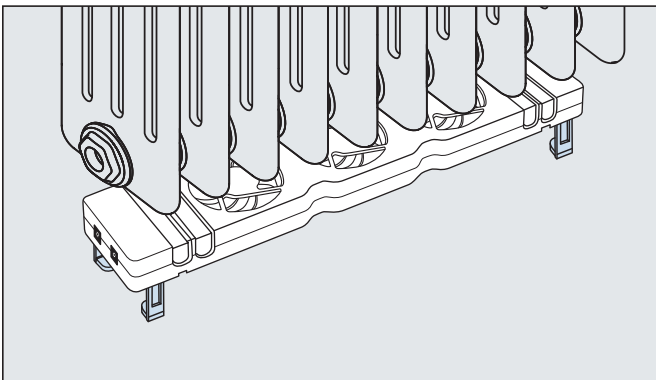
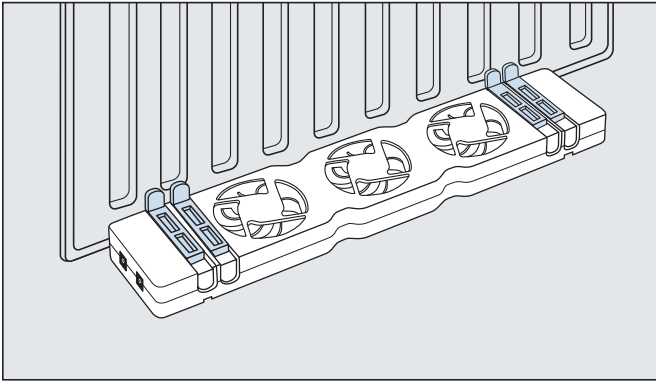
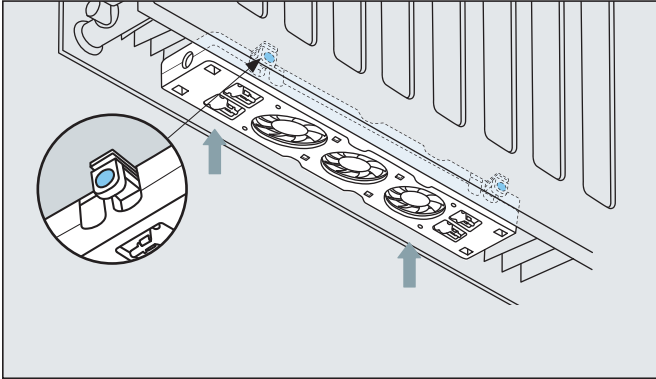
Ventilator fan DUO P56PR2

Ventilator fan MONO P56PR1



EASY INSTALLATION

The fan can be placed under the radiator with feet or attached to the bottom of the radiator with magnets.



Temperature sensor with magnet

LED control box

Connecting cable

Menu

Settings