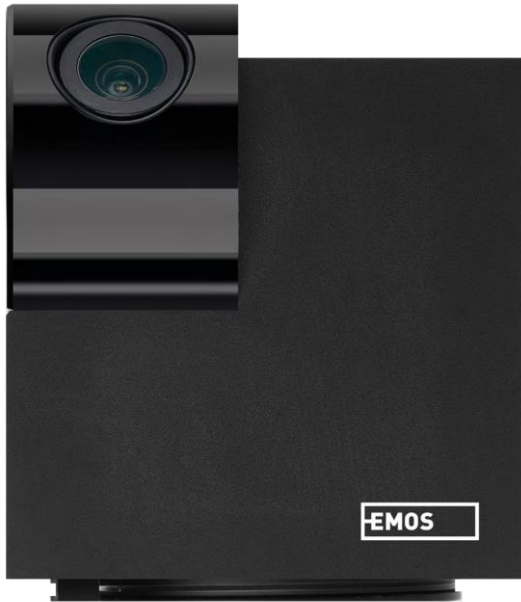


# H4061



## GoSmart IP indoor camera ip-110 CUBE V2 3mpx

---



### Table of Contents

Safety instructions and warnings.....	2
Contents of the package.....	3
Technical Specifications.....	3
Description of the device.....	5
Installation and assembly.....	6
Icons and indicator lights.....	12
Controls and functions.....	14
Troubleshooting FAQ.....	15

## Safety instructions and warnings



Before using the device, read the instructions for use.

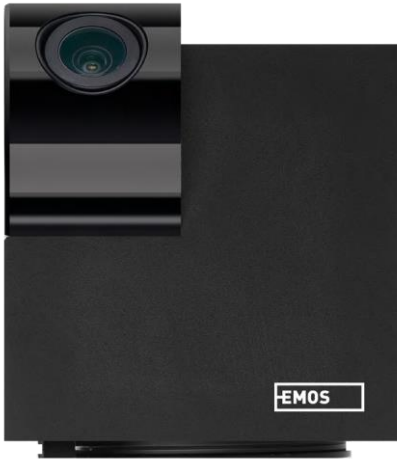


Observe the safety instructions in this manual.

EMOS spol. s r.o. declares that the product H4061 complies with the essential requirements and other relevant provisions of the directives. The equipment can be operated freely in the EU.

The Declaration of Conformity can be found on the website <http://www.emos.eu/download>.

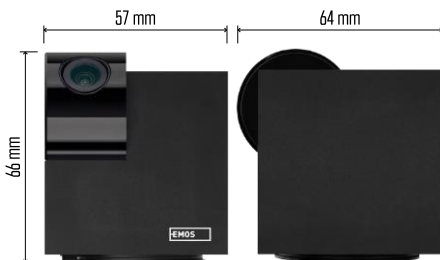
The equipment can be operated on the basis of general authorisation No. VO-R/10/07.2021-8 as amended.



## Package

### contents

Camera Power  
adapter USB  
cable  
Holder  
Adhesive tape  
Screws  
Protective tape  
Manual



## Technical specifications

Power supply: DC 5 V/1 A

Dimensions: 57 × 57 × 71 mm

Net weight: 180 g Resolution:  
2304 x 1296

Sensor: 1/2.9" 2 Megapixel CMOS

IR distance: night vision up to 10 m

PIR detection range: 9 m

Lens: 3.6 mm, F2.0

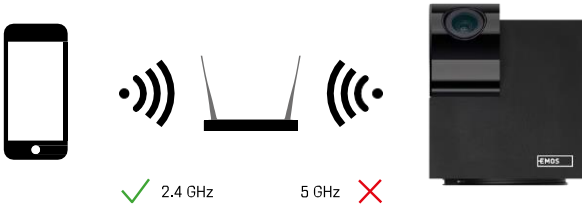
Storage: SD card (max. 128 GB), Cloud storage, NVR

APP: EMOS GoSmart for Android and iOS

Connection: 2.4 GHz WIFI (IEEE802.11b/g/n)

Maximum number of users: 6

## Notice



The camera only supports 2.4GHz Wi-Fi (does not support 5GHz).

## Description of the device

1 - Lens

2 - Status LED

- The LED flashes red: the device is waiting to be connected to the Wifi network.
- The LED is blue: the camera is working properly.
- The LED is red: the device is not working.

3 - SD card slot (max. 128 GB)

4 - Speaker

5 - Power supply

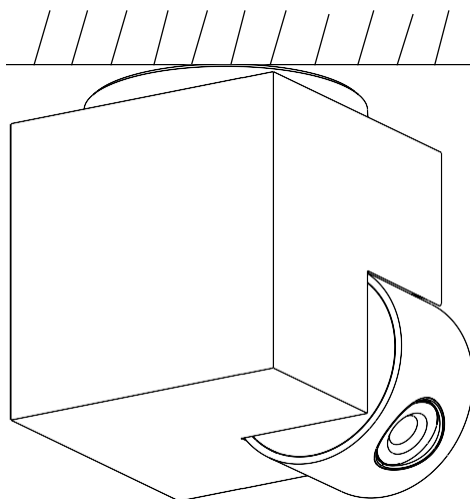
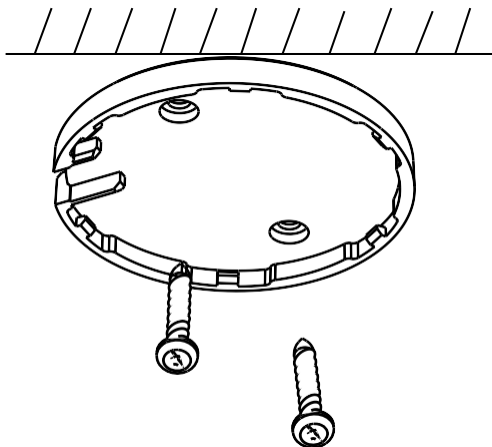
6 - RESET button

- Press the RESET button for 5 seconds to reset the instrument to factory settings.
- Press the RESET button for 1 second to activate the manual Wifi setup mode.



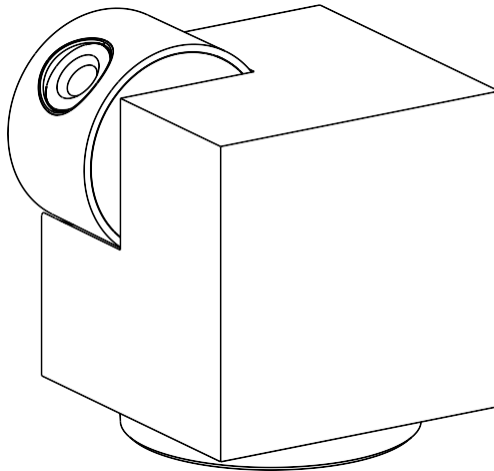
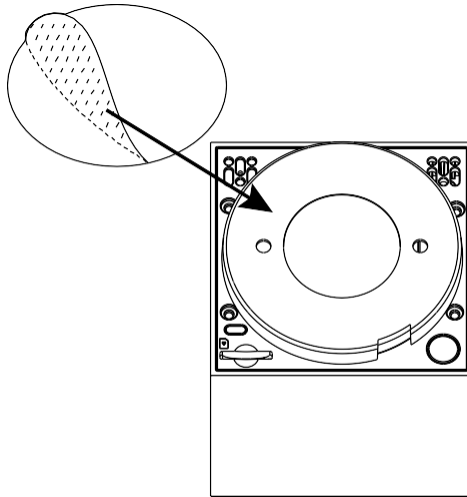
## Installation and assembly

### Installing a camera on the ceiling



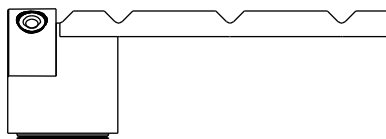
- 1 - Use the supplied holder to place on a clean surface.
- 2 - Fasten with the supplied screws.
- 3 - Install the camera on the mount.

## Installing the camera on an uneven surface

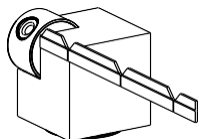


Apply adhesive tape to the bottom of the holder. Place the camera and mount in the designated place.

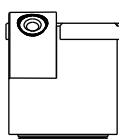
## Installing the protective tape



1



2



3



4

If necessary, a protective strip can be applied to the edge of the camera to prevent possible damage or injury to the camera edge.



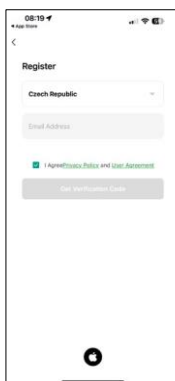
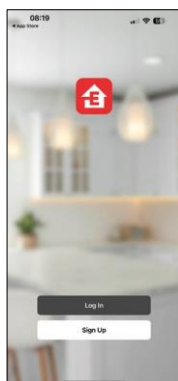
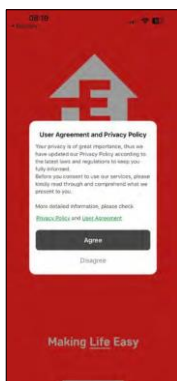
## Pairing with an app

Installing the EMOS GoSmart app



The app is available for Android and iOS via Google play and the App Store. Please scan the QR code to download the app.

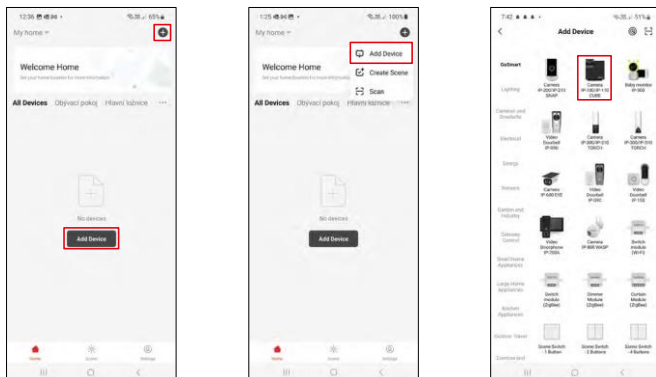
EMOS GoSmart mobile app



Open the EMOS GoSmart app and confirm the privacy policy and click I agree. Select the registration option.

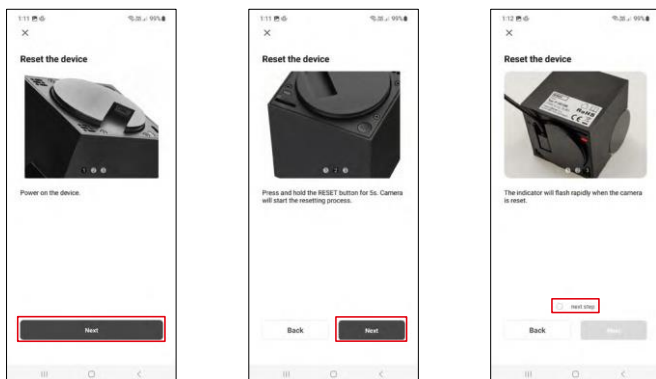
Enter the name of a valid email address and choose a password. Confirm your consent to the privacy policy. Select register.

## Pairing with an app

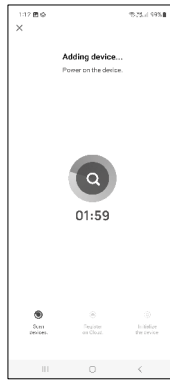
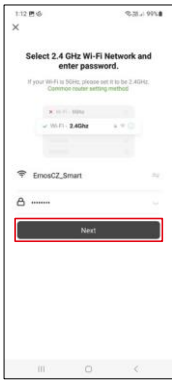


Select Add device.

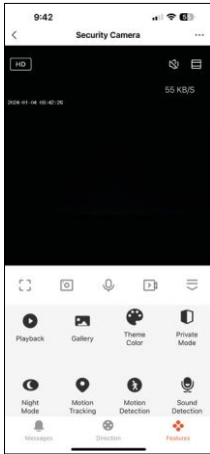
Select the GoSmart product category and select the Camera IP-100/IP-110 CUBE device.



Turn on and reset the camera using the RESET button on the bottom of the camera and continue with the application. After a successful reset, the indicator should flash rapidly.



Enter the name and password of your Wi-Fi network. This information remains encrypted and is used to allow the camera to communicate with your mobile device remotely. A QR code will appear on the display of your mobile device. Place the QR code in front of the camera lens. Confirm that you have heard the beep for a successful pairing. The device will be automatically searched. After pairing, the camera can be renamed.

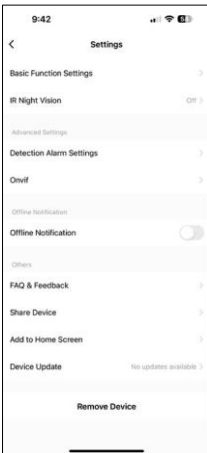
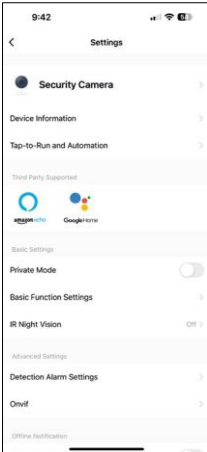


## Icons and indicator lights

Description of controls in the application

	Advanced settings (described in more detail in the following section)
	Video quality switching (HD/SD)
	Signal quality and speed
	Mute
	Zoom in
	Full screen mode
	Taking pictures with the app and saving them to your album
	Speak
	Take a video using the app and save it to your mobile album
	Expand menu
	To play a video stored on an SD card
	See videos and photos taken by the app
	Light mode / dark mode
	Private mode - camera stops capturing and recording
	Night mode settings. We recommend setting to AUTO.
	Motion tracking - the camera automatically films behind the tracked object
	Motion detection - the camera will alert you if it detects any movement
	Sound detection - the camera will alert you if it detects any loud sound (Crying, falling...)
	Edit icons + add control of another device
	Message display (Motion detection...)
	Manual camera movement

## Description of extension settings



- Device information - Basic information about the device and its owner
- Tap-to-Run and Automation - View scenes and automations assigned to the device. Creation of scenes is possible directly in the main menu of the application in the section "Scenes". For example, the H4061 could be automated to turn on private mode between 6pm and 7am so that the camera does not follow you when you are at home.
- Private mode - enable/disable private mode
- Basic Function Settings - Enable/disable basic control functions such as automatic screen rotation or watermarking with time and date display. Another important setting is the ability to select one-way or two-way communication.
- IR Night vision - night mode setting
- Detection Alarm Settings - Motion detection settings and the ability to schedule exactly when motion should be detected and when it should not.
- Onvif - Enable/Disable Onvif function (Continuous capture to NVR system).
- Offline Notification - To avoid constant reminders, a notification will be sent if the device remains offline for more than 30 minutes.
- FAQ & Feedback - View the most common questions along with their solutions plus the ability to send a question/suggestion/feedback directly to us
- Share Device - Share device management to another user
- Add to Home Screen - Add an icon to your phone's home screen. With this step, you don't have to open your device through the app every time, but just click directly on this added icon and it will take you straight to the camera view
- Device update - Device update. Option to enable automatic updates
- Remove Device - Remove and evaporate the device. An important step if you wish to change the owner of the device. After adding the device to the app, the device is paired and cannot be added under another account.

## Controls and functions

### Recording to SD card

One of the basic functions of the home security system is the SD card recording function.

The camera is mains powered, allowing non-stop recording or recording only if the camera detects movement. Selection and scheduling of recording is possible in the camera settings in the "Recording settings" box. The camera supports SD cards with a maximum size of 128 GB in FAT32 format. However, 32 GB or 16 GB SD cards are also sufficient. When the SD card is full, the recordings are automatically overwritten.


Instructions on how to enable the SD card function:

1. Insert the Micro SD card into the appropriate slot on the bottom of the camera.
2. Open the advanced device settings and select "Storage settings".
3. Format the SD card. **WARNING:** Do not turn off the application or interrupt the process when formatting the SD card.

[Non-stop recording]

1. Go to the camera settings and select "Recording settings".
2. Enable "Local Recording" and switch the recording mode to "Non-Stop".

[Event Recording]



1. Go to the camera settings and select "Recording settings".
2. Enable "Local Recording" and switch the recording mode to "Event Recording".
3. Switch on the PIR sensor and set the required sensitivity.
4. When the camera detects motion, it will also record a few seconds of footage, which can be found in the icon: 

## Troubleshooting FAQ

I can't get the devices to pair. What can I do?

- Make sure you are using a 2.4GHz Wi-Fi network and have a strong enough signal
- Allow the app all permissions in the settings
- Make sure you are using the latest version of the mobile operating system and the latest version of the app

They can hear me outside, but I can't hear the sound outside / I can hear the sound outside, but they can't hear me.

- Make sure you have granted all permissions to the app, especially for the microphone.
- One-way communication can also be a problem. If you see this icon at the bottom:  it means that the device is set to one-way communication.
- To fix this, go to the "Basic Function Settings" menu and set "Talk mode" to "Two-way talk". This menu can be found in the extension settings (see Chapter "Description of extension settings").
- The correct icon for two-way communication looks like this: 

I'm not getting notifications, why?

- Allow the app all permissions in the settings
- Turn on notifications in the app settings (Settings -> App notifications)

What SD-Card can I use?

- SD card with a maximum storage capacity of 128GB and a minimum speed class of CLASS 10 in FAT32 format.

When the SD card memory is full, are the oldest records automatically overwritten or does the user have to manually delete them?

- Yes, the records are overwritten automatically.

Who all can use the equipment?

- Facilities must always have an admin (owner)
- Admin can share the device with the remaining household members and assign them rights

